

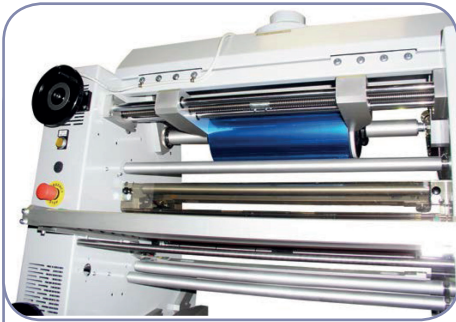


Description

The SA 3024 OC is a semi-automatic laminator designed and built for dry film photoresist, hot pressure lamination of PCBs and chemical milling parts.

This unit is capable to handle very thin panels up to 6,4 mm. The machine can be used also for cold application of DFSM on PCBs, before the final process in the Dynachem Vacuum Laminators.

In addition, two knobs with a graduated scale installed on the upper side of the unit can adjust the "off contact" of the lamination rolls.



Dry film alignment device



Wet lamination module (option)



Advantages

- Suitable for innerlayer or rigid panels-full range from 0,025÷6,4 mm (0.001÷0.250 in.) thickness
- Operator interface in various languages by touch screen display
- Anti-static system
- Lateral cutting device with motor (option)
- "soft contact" manual centering device
- An electromagnetic clutch minimize the film waste between the PCBs during cold application
- The unit is provided with motor driven input/output rollers and is suitable for in-line operation
- Powerful vapour exhaust system
- Fine alignment device
- Accept 300 meter (1,000 ft.) rolls of dry film
- Provided with 3 or 6 in. adapters
- Panel sizes up to 610 mm (24 in.) wide
- Completely controlled by PLC
- Knobs with a graduate scale for Off Contact
- Dry film alignment device (option)
- Wet lamination module (option)

General Specifications

Overall Dimensions

Width	1090 mm (42.9 in.)
Length	1220 mm (48.0 in.)
Height (min.÷max.)	1623÷1703 mm (63.9÷67.0 in.)

Electrical Requirements

Power Type	Single phase; 50/60 Hz + Ground
Power Consumption	2.6 KVA
Nominal Voltage	230V

Compressed Air

Consumption	2 NI/cycle (0.07 cfm)
Working Pressure	3÷6 kg/cm ² (42.7÷85.3 psi)

Exhaust

250 m ³ /hour

Weight

Gross	350 kg (727 lbs.)
Net	240 kg (529 lbs.)

Operation Features

Panel size

Width (min.÷max.)	190÷610 mm (7.5÷24 in.)
Thickness (min.÷max.)	0.025÷6,4 mm (0.001÷0.25 in.)
Length (min.÷max.)	220÷610mm (8.7÷24 in.)

Dry Film Photoresist Size

Width	610 mm (24 in.)
Rolls Diameter	250 mm (9.84 in.)

Conveyor (Adjustment)

Conveyor Height (min.÷max.)	1025÷1110 mm (40.4÷43.7 in.)
-----------------------------	------------------------------

Conveyor Speed

Adjustable up to	3 m/min. (10 ft./min.)
------------------	------------------------

Lamination Pressure

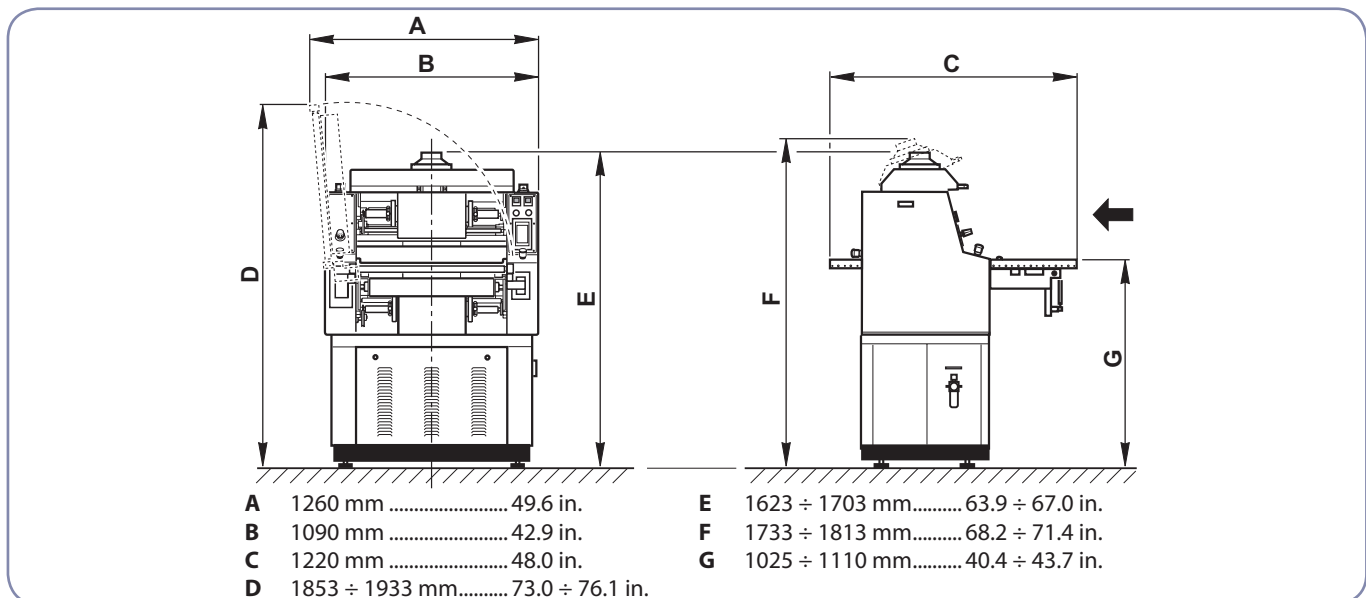
Pressure	3 ÷ 6 bar (80 ÷ 160 Kg)
----------	-------------------------

Lamination Roll

Temperature (max.)	130°C (266°F)
Material	Silicone rubber 60 SH (Anti-Solvent rubber 75 SH opt.)

Options

- Lateral cutting device with motor
- Metal chuck (3 in. core) for dry film rolls
- Dry film alignment device
- Expansion rolls support dry-film top and bottom
- Exit Driven conveyor rolls with pneumatic bar plus cutting groove
- Exit Driven conveyor rolls length 426mm suitable for very thin material
- Exit Driven conveyor rolls length 256mm
- Pneumatic device for low lamination pressure
- IR sensor Kit to detect exit temperature.
- Wet lamination module



www.dynachem.eu

Contact:

Via A. da Giussano, 32/34
21040 Caronno Varesino - Varese - Italy
Tel +39 03311850201
Fax +39 0331 981996
e-mail: info@dynachem.eu



DYNACHEM

DISTRIBUTOR

