

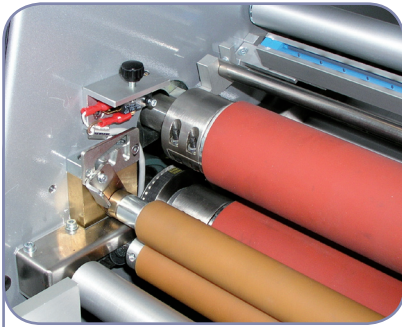


Description

The SA 3024 OC is a semi-automatic laminator designed and built for dry film photoresist, hot pressure lamination of PCBs and chemical milling parts.

This unit is capable to handle very thin panels up to 6,4 mm. The machine can be used also for cold application of DFSM on PCBs, before the final process in the Dynachem Vacuum Laminators.

In addition, two knobs with a graduated scale installed on the upper side of the unit can adjust the "off contact" of the lamination rolls.



Lamination rolls



Advantages

- Suitable for innerlayer or rigid panels-full range from 0,025÷6,4 mm (0.001÷0.250 in.) thickness
- Operator interface in various languages by touch screen display
- Anti-static system
- Lateral cutting device with motor
- The "soft contact" automatic centering device and the motor driven input rolls align the panels with the dry film
- An electromagnetic clutch minimize the film waste between the PCBs during cold application
- The unit is provided with motor driven input/output rollers and is suitable for in-line operation
- Powerful vapour exhaust system
- Fine alignment device
- Accept 300 meter (1,000 ft.) rolls of dry film
- Provided with 3 or 6 in. adapters
- Panel sizes up to 610 mm (24 in.) wide
- Completely controlled by PLC

General Specifications

Overall Dimensions

Width	1090 mm (42.9 in.)
Length	1220 mm (48.0 in.)
Height (min.÷max.)	1623÷1703 mm (63.9÷67.0 in.)

Electrical Requirements

Power Type	Single phase; 50/60 Hz + Ground
Power Consumption	2.6 KVA
Nominal Voltage	230V

Compressed Air

Consumption	2 NI/cycle (0.07 cfm)
Working Pressure	3÷6 kg/cm ² (42.7÷85.3 psi)

Exhaust

250 m ³ /hour

Weight

Gross	350 kg (727 lbs.)
Net	240 kg (529 lbs.)

Operation Features

Panel size

Width (max.)	610 mm (24 in.)
Thickness (min.÷max.)	0.025÷6,4 mm (0.001÷0.25 in.)

Dry Film Photoresist Size

Width	610 mm (24 in.)
-------	-----------------

Conveyor (Adjustment)

Conveyor Height (min.÷max.)	1025÷1110 mm (40.4÷43.7 in.)
-----------------------------	------------------------------

Conveyor Speed

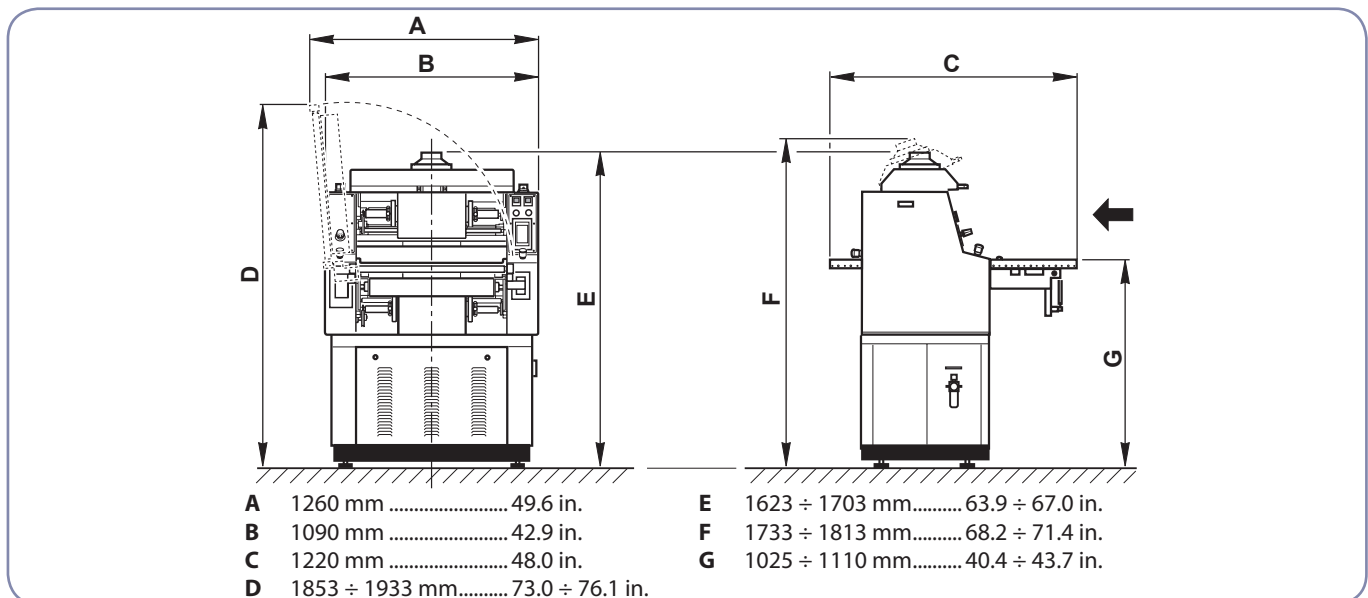
Adjustable up to	3 m/min. (10 ft./min.)
------------------	------------------------

Lamination Roll

Temperature (max.)	130°C (266°F)
Material	Silicone rubber 60 SH

Options

Fine alignment device for dry film rolls
Anti-Static system
Lateral cutting device with motor
Metal chuck (3 in. core) for dry film rolls
Knobs with a graduate scale for Off Contact



www.dynachem.eu

Contact:

Castronno, Italy
 Viale Lombardia, 52
 21040 Castronno - Varese - Italy
 Tel +39 0332 896300
 Fax +39 0332 896396
 e-mail: info@dynachem.eu



DYNACHEM

DISTRIBUTOR